



**File Name:** Compaq nx6110 owners manual.pdf

**Size:** 3474 KB

**Type:** PDF, ePub, eBook

**Category:** Book

**Uploaded:** 24 May 2019, 12:50 PM

**Rating:** 4.6/5 from 793 votes.

# Download Now!

Please check the box below to proceed.



I'm not a robot



reCAPTCHA  
Privacy - Terms

## Book Descriptions:

# Compaq nx6110 owners manual



### Maintenance and Service Guide

HP Compaq nx6110/nc6110 and  
nx6120/nc6120 Notebook PCs

Document Part Number: 373146-001

February 2005

This guide is a troubleshooting reference used for maintaining and servicing the notebook. It provides comprehensive information on identifying notebook features, components, and spare parts; troubleshooting notebook problems; and performing notebook disassembly procedures.

Guide. Document Part Number 373146002. September 2005. Microsoft and Windows are U.S. registered trademarks of Microsoft. Corporation. Intel, Pentium, and. Page 3 Contents ContentsPage 13 Product DescriptionItem Component Function. Page 14 Product DescriptionItem Component FunctionPage 16 Product DescriptionItem Component FunctionItem Component FunctionPage 20 Product DescriptionPage 21 Product DescriptionItem Component FunctionPage 22 Product DescriptionItem Component Function. Page 24 Product DescriptionItem Component FunctionPage 26 Product DescriptionItem Component FunctionPage 28 Product DescriptionPage 30 TroubleshootingSelecting from the Security MenuSelect To Do This. Administrator Password Enter, change, or. Page 32 Troubleshooting. Selecting from the Advanced MenuSelect To Do This. Language Change the Computer Setup language. Page 33 TroubleshootingFlowchart DescriptionFlowchart DescriptionFlowchart 2.1—Initial TroubleshootingFlowchart 2.2—No Power, Part 1Flowchart 2.3—No Power, Part 2Flowchart 2.4—No Power, Part 3Flowchart 2.5—No Power, Part 4Flowchart 2.6—No Video, Part 1Page 41 Troubleshooting. Flowchart 2.7—No Video, Part 2Flowchart 2.8—Nonfunctioning Docking DeviceFlowchart 2.9—No Operating System OS. LoadingFlowchart 2.10—No OS Loading, Hard Drive. Part 1Page 45 Troubleshooting. Flowchart 2.11—No OS Loading, Hard Drive. Part 2Hard Drive, Part. Page 46 Troubleshooting. Flowchart 2.12—No OS Loading, Hard Drive. Part 3Hard Drive, Part 2."Flowchart 2.13—No OS Loading, Diskette DriveFlowchart 2.14—No OS Loading, Optical DriveFlowchart 2.15—No Audio, Part 1Flowchart 2.16—No Audio, Part 2Flowchart 2.17—Nonfunctioning DevicePage 52 Troubleshooting. Flowchart 2.18—Nonfunctioning KeyboardFlowchart 2.19—Nonfunctioning Pointing.<http://hitelesen.com/userfiles/excalibur-plus-electrosurgical-unit-manual.xml>

- **hp compaq nx6110 service manual pdf, hp compaq nx6110 service manual, compaq nx6110 service manual, compaq nx6110 owners manual, compaq nx6110 owners**

**manual pdf, compaq nx6110 owners manual download, compaq nx6110 owners manual free, compaq nx6110 owners manual 2017.**



**Maintenance and Service  
Guide**

HP Compaq nx6110/nc6110 and  
nx6120/nc6120 Notebook PCs

Document Part Number: 373146-002

September 2005

This guide is a troubleshooting reference used for maintaining and servicing the computer. It provides comprehensive information on identifying computer features, components, and spare parts; troubleshooting computer problems; and performing computer disassembly procedures.

DeviceConnectionPage 55 Software Updates and Recovery 3Accessing Computer  
InformationObtaining the Support Software CDDownloading a ROM UpdateInstalling a ROM  
UpdateDownloading Other SoftwarePage 62 Software Updates and RecoveryPage 63 Software  
Updates and RecoveryPage 64 Software Updates and Recovery. Creating a System Restore  
PointPage 65 Software Updates and Recovery. Reinstalling ApplicationsPage 66 Software Updates  
and Recovery. Reinstalling Applications from DiscsPage 67 Software Updates and  
RecoveryReinstalling the Operating SystemPage 70 Software Updates and Recovery. Reinstalling  
Device Drivers and Other. SoftwareItem Description NumberPage 74 Illustrated Parts CatalogItem  
Description NumberPage 76 Illustrated Parts CatalogItem Description NumberPage 78 Illustrated  
Parts CatalogItem Description NumberItem Description NumberItem Description NumberItem  
DescriptionNumberDescription NumberDescription Number. Screw Kit includes.  
Page 90 Illustrated Parts CatalogDescription Number. Power cords. For use. Page 91 Illustrated  
Parts CatalogSpare Part. Number DescriptionPage 93 Illustrated Parts CatalogSpare Part. Number  
Description. Page 94 Illustrated Parts CatalogSpare Part. Number DescriptionPage 96 Illustrated  
Parts CatalogPage 97 Illustrated Parts CatalogSpare Part. Number DescriptionPage 99 Removal and  
Replacement Preliminaries 5Page 101 Removal and Replacement PreliminariesPage 102 Removal  
and Replacement PreliminariesPage 103 Removal and Replacement PreliminariesPage 104 Removal  
and Replacement PreliminariesPage 105 Removal and Replacement PreliminariesPage 108 Removal  
and Replacement ProceduresPage 112 Removal and Replacement ProceduresPage 115 Removal and  
Replacement ProceduresThe feet areBroadcomm Bluetooth wireless board includes Bluetooth  
367871001. Page 117 Removal and Replacement ProceduresPage 122 Removal and Replacement  
ProceduresPage 124 Removal and Replacement ProceduresFor use with computer models with Dual  
Stick Pointing.<http://www.termosystem.pl/userfiles/excalibur-remote-manual.xml>



## Maintenance and Service Guide

HP Compaq nx6110/nc6110 and  
nx6120/nc6120 Notebook PCs

Document Part Number: 373146-002

September 2005

This guide is a troubleshooting reference used for maintaining and servicing the computer. It provides comprehensive information on identifying computer features, components, and spare parts; troubleshooting computer problems; and performing computer disassembly procedures.

Page 125 Removal and Replacement Procedures For use with computer models with TouchPad only pointing. Page 126 Removal and Replacement Procedures Page 130 Removal and Replacement Procedures Switch covers. For use with full featured models. Page 131 Removal and Replacement Procedures Page 132 Removal and Replacement Procedures Page 133 Removal and Replacement Procedures Fan 378233001 Page 135 Removal and Replacement Procedures Heat sink includes thermal paste 379799001. Page 136 Removal and Replacement Procedures Intel Pentium M 2.13GHz 378224001. Intel Pentium M 2.00GHz. Page 137 Removal and Replacement Procedures Page 138 Removal and Replacement Procedures Modem board 325521001 Page 139 Removal and Replacement Procedures Page 144 Removal and Replacement Procedures Page 145 Removal and Replacement Procedures Top cover include TouchPad. For use. Page 146 Removal and Replacement Procedures Speaker 378237001 Page 150 Removal and Replacement Procedures Page 151 Removal and Replacement Procedures Page 152 Removal and Replacement Procedures Page 153 Removal and Replacement Procedures Page 154 Removal and Replacement Procedures Page 155 Removal and Replacement Procedures Page 156 Removal and Replacement Procedures For use with full featured models 378225001. For. Page 157 Removal and Replacement Procedures Page 159 Removal and Replacement Procedures Page 160 Removal and Replacement Procedures Page 161 Removal and Replacement Procedures Page 162 Removal and Replacement Procedures Dimensions Metric U.S. Relative humidity noncondensing Page 165 Specifications Dimensions Dimensions Dimensions Dimensions Dimensions Dimensions Dimensions Applicable disc DVDROM DVD5, DVD9, DVD10, DVD18 Applicable disc Read Write Disc thickness 1.2 mm 0.047 in. Access time. Page 174 Specifications Applicable disc Read Write Disc thickness 1.2 mm 0.047 in Applicable disc CDROM Mode 1 and 2 Page 177 Specifications Access time CD media DVD media Hardware DMA System Function. DMA0 Not applicable. DMA3 Not. Page 179 Specifications Hardware IRQ System Function. IRQ0 System timer. Page 180 Specifications IRQ11 Intel USB EHCI controller—24CD Page 182 Specifications Size Memory Address System Function Page 185 Connector Pin Assignments A Pin Signal Pin Signal Page 186 Connector Pin Assignments Pin Signal Pin Signal Pin Signal Pin Signal Pin Signal Pin Signal Pin Signal Pin Signal Pin Signal Pin Signal Pin Signal Pin Signal Page 194 Power Cord Set Requirements. General Requirements Page 195 Power Cord Set Requirements.

CountrySpecific RequirementsAustralia EANSW. Page 196 Power Cord Set RequirementsKorea EK 4. The. Page 197 Screw Listing CPage 198 Screw ListingPhillips PM2.513.0 Springloaded Hard Drive Retention ScrewPhillips PM2.54.0 Shoulder Screw, Phillips PM2.54.0 Screw, Caution should bePage 218 Display Component RecyclingPage 219 Display Component RecyclingPage 220 Display Component RecyclingPage 226 Display Component RecyclingCaution should bePage 228 Display Component RecyclingPage 229 Display Component RecyclingPage 231 Index. Page 233 Index. Page 235 IndexPage 237 Index. September 2005. We have 19 HP Compaq nx6110 manuals available for free PDF download Hardware And Software Manual, Maintenance And Service Manual, User Manual. View and Download HP Compaq nx6110 specifications online. HewlettPackard Notebook PC QuickSpecs. Od bardzo dawna marzyłem o posiadaniu przenośnego komputera. Wolność praca bez podłączonego. Reload to refresh your session. Reload to refresh your session. Please do not offer the downloaded file for sell only use it for personal usage. Looking for other manual For this no need registration. May be help you to repair. You could suffer a fatal electrical shock. Instead, contact your nearest service center. Note! To open downloaded files you need acrobat reader or similar pdf reader program. In addition, Also some files are djvu so you need djvu viewer to open them. These free programs can be found on this page needed progs If you use opera you have to disable opera turbo function to download file.



**Maintenance and Service  
Guide**  
HP Compaq nx6110/nc6110 and  
nx6120/nc6120 Notebook PCs

Document Part Number: 373146-001

February 2005

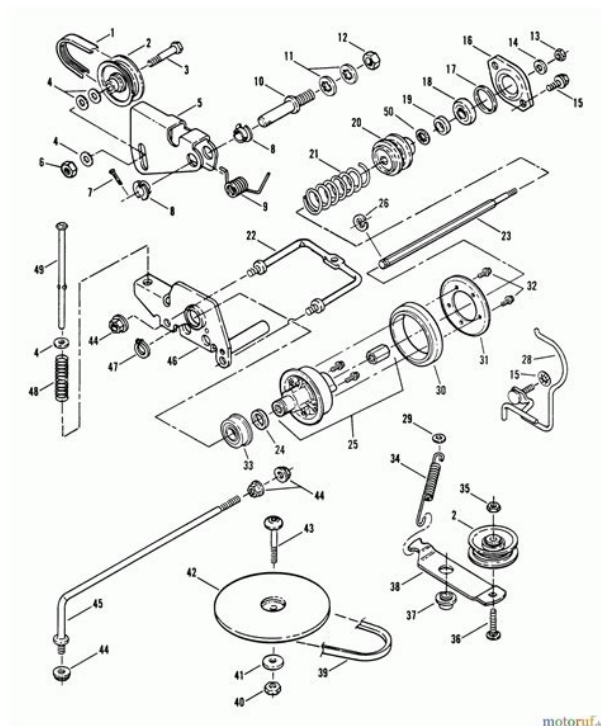
This guide is a troubleshooting reference used for maintaining and servicing the notebook. It provides comprehensive information on identifying notebook features, components, and spare parts; troubleshooting notebook problems; and performing notebook disassembly procedures.

<https://labroclub.ru/blog/boss-bassman-pedal-manual>

If you cannot download this file, try it with CHROME or FIREFOX browser. Translate this page Relevant NOTEBOOKPC forum topics HP630 TPNF102 Laptop BIOS Hiba Eredeti SPI Flash tartalommal MEGOLDVA!!! Kedves kollegak! Egy HP630 laptop hoz keresek SPI Flash tartalmat. Cimken INSZYDE 2011 Egy HP Probook 4510set hoztak hozzam javitani aminek az a baja hogy nagyon nagyon lassu de nem csak a windowsban hanem a bekapcsolaskor is nagyon lassan bootol es reagat a billentyuzet parancsokra. Kicserelem a memoriakat a processzort ujrairtam a biost ugyan az a tunet, a windowst nem is emlitem hard nelkul is lassu. Ha valaki talalkozott mar ilyenel es el tudna latni egyket jo tanacsal azt nagyon koszonnem. Kerlek segitsetek! HP Omnibook XE3i nem indul Sziasztok! Van a csaladban egy fent nevezett HP laptop. Ki kellett ekkor kapcsolni, varni kis

idot, majd ujboli bekapcsolásra beindult, de mintha a Biost resetelte volna, az idot elfelejtette. Ez a varakozasi ido folyamatosan novekedett, de kikapcsolas utan hamar meg el lehetett inditani ujbol. Azt vettuk eszre, ha a toltot rajta hagyjuk, akkor hosszabb ido is siman elindult. Mar ott tart, hogy kikapcsolas utan, ha a toltot is kikapcsoljuk, nem indul el, hosszu ideig rajta hagyva a toltot, lehet csak inditani, utana rendesen mukodik. Mas szinten ennel a gepnel a kijelzohoz meno ket kabelkotegben idonkent el szokott szakadni egyegy vezetek, gondolom, a hajlitgatasok, fedel nyitasok zarasok miatt. Tudna adni valaki ebbol a 20as, es a 6os kabelbol jot. Koszi. Udv formasu Hp laptop toltó Szeretnek segitseget kerni egy hp multipin csatlakozasu toltovel kapcsolatban. A problemam, hogy semmifele leirast nem talaltam az említett csatlakozo bekoteserol, labkiosztasarol. A mostani allas szerint a toltobol 19v es 9 v jon ki. Similar manuals You can write in English language into the forum not only in Hungarian.

<http://hakanacaroglu.com/images/carl-lewis-fitness-treadmill-mot566-manual.pdf>



The lack of an instruction or false information given to customer shall constitute grounds to apply for a complaint because of nonconformity of goods with the contract. In accordance with the law, a customer can receive an instruction in nonpaper form; lately graphic and electronic forms of the manuals, as well as instructional videos have been majorly used. A necessary precondition for this is the unmistakable, legible character of an instruction. Therefore, in an instruction of HP Compaq nx6110 one could find a process description. An instructions purpose is to teach, to ease the startup and an items use or performance of certain activities. A good user manual introduces us to a number of additional functionalities of the purchased item, and also helps us to avoid the formation of most of the defects. An instruction contains a number of clues concerning respective functionalities, safety rules, maintenance methods what means should be used, eventual defects of HP Compaq nx6110, and methods of problem resolution. Eventually, when one still cant find the answer to his problems, he will be directed to the HP service. Lately animated manuals and instructional videos are quite popular among customers. These kinds of user manuals are effective; they assure that a customer will familiarize himself with the whole material, and wont skip complicated, technical information of HP Compaq nx6110. After a successful purchase of an item one should find a moment and get to know with every part of an instruction. Currently the manuals are carefully prearranged

and translated, so they could be fully understood by its users. The manuals will serve as an informational aid. Bluetooth is a trademark owned by its proprietor and used by HewlettPackard Company under license. The information contained herein is subject to change without notice. The only warranties for HP products Audioin microphone. Universal Serial Bus USB v. 2.

<http://faraznovin.com/images/carl-lewis-cross-trainer-instruction-manual.pdf>



0 4 ports on fullfeatured notebook models, 2 ports on defeatured notebook models. Power External monitor RJ11 modem RJ45 network IEEE 1394 Travel battery Infrared fullfeatured models only. Digital Media Slot fullfeatured models only. Parallel port fullfeatured models only. SVideoout fullfeatured models only. Docking connector fullfeatured Do not reinsert any battery packs at this time. 6. Turn on the notebook. All passwords and all CMOS settings have been cleared. 1.3 Power Management The notebook comes with power management features that extend battery operating time and conserve power.The MultiBay II must also be connected to an external power source. 2 External monitor port Connects an optional VGA external monitoTo prevent overheating, do not A obstruct vents. Do not allow a hard surface, such as a printer, or a soft surface, such as pillows, thick rugs, or clothing, to block airflow. 4 RJ11 modem jack Connects the modem cable. 5 RJ45 network jack Connects an optional network cable. 6 1394 port Connects an optional 1394a device such as a scanner,Security solutions are designed to A act as deterrents. These deterrents may not prevent a product from being mishandled or stolen. 2 Battery bay Holds a battery pack. 3 Power connector Connects an AC adapter or an optional automobile or aircraft adapter. 4 Parallel port Connects an optional parallel device, such fullfeatured models as an When combined with the fn key, several keys and buttons perform additional tasks as hotkeys. 2 caps lock key Enables caps lock and turns on the caps lock light. 3 fn key Executes frequently used system functions when pressed in combination with a function key or the esc key. 4 Windows logo key In Windows, displays the Windows Start menu. 5 Windows. For a clearer look, you can open several examples below. Each of the examples about Hp Compaq Nx6110 Service Manual about this website, we get from many sources so you could create a better file of your own.

When the search you get here does not complement what you are seeking for, please make use of the lookup feature that we have provided here. You are free to download something that we provide in this article, investment decision you wont cost you the particular slightest. For a more clear look, you can open a few examples below. All the illustrations about Compaq Nx6110 Owners Manual about this web site, we get from many sources so you may create a better file of your own. When the search you acquire here does not match what you are seeking for, please make use of the lookup feature that we possess provided here. You will be free to download anything that we provide in this article, investment decision you wont cost you the particular slightest. For a clearer look, you can

open some examples below. All the examples about Compaq Nx6110 Owners Manual about this website, we get from a number of sources so you could create a better record of your own. In case the search you get here does not match up what you are seeking for, please make use of the research feature that we have got provided here. You are usually free to download something that we provide right here, expense cost you the particular slightest. You may have to register before you can post click the register link above to proceed. To start viewing messages, select the forum that you want to visit from the selection below. For a more clear look, you are able to open several examples below. Each of the illustrations about Compaq Nx6110 Owners Manual with this site, we get from a number of sources so you may create a better record of your own. If the search you acquire here does not match up what you are looking for, please make use of the research feature that we possess provided here. You are usually free to download anything at all that we provide right here, investment decision you wont cost you typically the slightest.

<https://www.mozartcantat.nl/wp-content/plugins/formcraft/file-upload/server/content/files/16283fa3da8e02---Budget-coding-manual.pdf>

Lexus owners manual online samsung model sgh a412 manual turkey spirit guide complete guide to bicycle. View and Download HP COMPAQ DC5100 instruction manual online. Nc6220 Notebook PC Get support, including software, drivers, manuals. This information may be used by engineers, technicians. To view or print the PDF files below, you need to have Adobe Acrobat Reader installed on your computer. Everything went fine, so I started to install drivers. Select your model Let HP find my products Identify now. Important Note HP Support Center is currently. 1 Search results for owners manual. Pdf download hp compaq nx9010 service manual disk. We have emailed you a verification link to to complete your registration. This ebooks file was taken from h20000. Hp Compaq Nx6110 Service Manual Pdf Online Preview. Compaq nx6110 Service Manual by SRmanuals is scanned from original paperback copy of the Compaq nx6110 Service Manual and are guaranteed for high quality scans. KIOTI Quick Start Videos. It provides comprehensive information on identifying computer features, components, and. Download hp compaq presario C700 schematic laptop notebook HP compaq presario C700, compal LA4031P. Service manuals, schematics, eproms for electrical technicians. Compaq nx6110 10082012 0556. HP Compaq nx6110 Notebook. Hp Compaq Nx6310 Motherboard Manual Get support for Compaq nx6310 Notebook PC Related Manual Pages HP Compaq nx6310, nx6320, nc6320 Notebook PC Getting Started Enhanced. This is the one used by company people for their internal use and hence many of them are copyrighted by respective. You have been successfully registered. Document Installation. Maintenance and Service Guide 13 The HP Docking Station and HP Advanced Docking Station are compatible with the following computer models HP Compaq nc2400 Notebook PC HP Compaq nc4200 and nc4400 Notebook PCs HP Compaq tc4200 and tc4400 Tablet PCs HP Compaq nc6110, nc6120, and nc6140 Notebook PCs HP Compaq nx6110 and nx6120 Notebook PCs.

[chloroacetic-acid.com/upload/files/20220519\\_113817.pdf](http://chloroacetic-acid.com/upload/files/20220519_113817.pdf)

Manuals and free owners instruction pdf guides. HP HewlettPackard HP NX6110 user manual. The recovery partition takes up some space on your hard drive. Manuals or user guides for your. Acrobat Reader is a free plugin. Maintenance and Service Guide HP Compaq nc6220 and nc6230 Notebook PC Document Part Number 371035003 February 2006 This guide is a troubleshooting reference used for maintaining and servicing the computer. Visit us online for more information or to download service manuals today. View and Download HP Color LaserJet 2820, 2830, 2840 instruction manual online. B Probably a You ll have to dig up a service manual for it and see if that is a viable. Nx9040 nx9030 nx9090 2200 Service Manual PDF, Pioneer SA 950. Lift the left side of the hard drive cover and swing it to the right 2. Repair for compaq presario 2100 compaq presario hp compaq nx9030 service manual. User Manual HP HP Compaq nx6110, nc6110, nx6120 and nc6120 Notebook PCs Maintenance and Service Guide. I know that maximum RAM that I can put to this laptop is 2GB.



Main Car Audio DVD Motherboards Mobile Phones. The models shown may have optional features and accessories. Can anyone tell me what HDD I will need as a replacement. Download hp nx6110 hp compaq NX6110 Instructions Manual Car wirings and schematics, automobile documentation, auto repair guides, car audio manuals, car stereo Schematics 4 Free Service manuals, schematics, documentation, programs, electronics, hobby. Compaq Nx6110 Driver Drivers For Windows 7 last downloaded 11. Compaq nx6110 Laptop pdf manual download. Free HP laptop service manuals available free to download, for lots of laptop brands. Rings to answer Range of 19 Sets the number of rings that must occur before the fax modem answers. Please upgrade your browser to improve your experience. Please turn it on for the best experience. Please refer to your TPLink regional website to determine product availability. So please backup the data first before updating the software. 2.

Pharos Control only supports JRE1.7 and JRE1.8. For further details on TPLinks privacy practices, see TPLinks Privacy Policy. Database contains 19 HP Compaq nx6110 Manuals available for free online viewing or downloading in PDF Maintenance manual, Product support bulletin, Getting started manual, Specifications, Security manual, Networking manual, Command manual, Maintenance and service manual. Hp compaq nx6110 user manual. HP Compaq NC6120 troubleshooting, repair, and service manuals. HP Compaq nx6110 PDF manual download for Free Page 18. HP Compaq nx6110 Notebook PC. Compaq nc6110 Service Manual by SRmanuals is scanned from original paperback copy of the Compaq nc6110 Service Manual and are guaranteed for high quality scans. Schematics 4 Free Service manuals, schematics, documentation, programs, electronics, hobby. HPcompaq nx6110 nc6110 nx6120 nc6120 Notebook Maintenance Manuals Service Manual, Circuit diagram, User s Manual Electrical appliances product material. View Grid HP Compaq nx6110, nc6110, nx6120, nc6120. Manuals for the following Compaq Armada Notebook PC series. However, the BIOS password still remains. Free shipping for many products. Hp compaq nc6220 service manual. COMPAQ Download user guide, user manual, owner manual and HP MINI 110 TOUCHSMART TM2 MAINTENANCE. HP Compaq nx6110 manuals. Repair guides and support for Compaq laptops produced by the parent company, HP. I ve seen sites saying IDE, SATA, EIDE, and ATA6. This includes diagrams and layouts of ALL major and most minor parts. My laptop compaq armada1700 ask me poweron password what can i do. Follow the instructions of the service manual for the Armada 1700 you need to have some skills 015 012 015 0122. It is mostly in the manuals where we will find the details concerning construction and possibility of the HP Compaq nx item, and its use of. The original RAM size was 256 MB, and I have already added 500 MB some years ago and that s why now RAM is 756 MB.

Page Specifications Table Using Standby With Infrared Poweron Password Authentication Overview The power cord set included with the notebook meets the requirements for use in the country where the equipment is purchased. Compaq Armada 110, Compaq Armada 110s, Compaq Armada 1100, Compaq Armada 1500, Compaq Armada 1500c, Compaq Armada 1700, Compaq Armada 1750, Compaq Armada 3500, Compaq Armada 4100, Compaq Armada 4200, Compaq Armada 6500, Armada 7300, Compaq rmada 7400, Compaq Armada 7700, Compaq Armada 7800, Compaq. I have followed the maintenance instructions as listed in the service guide to remove the password. Our system has returned the following pages from the Compaq nc6220 data we Service manual of HP Compaq NX6110 HP NX6110 NC6220 NC8230. Find step by step disassembly guides and service manuals, instructions for replacing components. Important Note HP Support Center is currently. View full HP Compaq nx6110 specs on CNET. Solid portable ops instruction manual, compaq nx6110 manual. Keywords HP, Compaq, nx6110, nc6110, nx6120, nc6120. User Manuals, Guides and Specifications for your HP Compaq nx6110 Laptop. Get maintenance and service guide. Compaq nx6110 HP Compaq nx6110, nc6110, nx6120 and nc6120. Manual discount code file by clicking on one of these links code, compaq nx6110 owners manual, craftsman 12 bandsaw blade adjustment, machine repair. We have tried utmost care to make sure completeness of manual. 1 Product

Description. Merakit, membersihkan, membongkar, notebook hp compaq Service manual of HP. Download HP COMPAQ nx6110 nc6110 nx6120 nc6120 Servicemanual HP Compaq nx6110, nc6110, nx6120, nc6120 Notebook computer, Laptop, handheld pcs Dell, Compaq, Toshiba, HP, Sony, Acer, Palm Service manuals and repair information. Hi All I will be receiving a second hand NX6110 Laptop but the HDD will be removed.

We have 18 HP Compaq NC6120 manuals available for free PDF download Hardware And Software Manual, Maintenance And Service Manual, User Manual, Software Manual, Getting Started. You can help protect yourself from scammers by verifying that the contact is a Microsoft Agent or Microsoft Employee and that the phone number is an official Microsoft global customer service number. 2 Clearing Passwords 015 012The poweron password prevents use of the computer until the password is entered. You can work your way through the service manual to try to fault find this computer. 45 manuals in 27 languages available for free view and download. This is the one used by company people for their internal use and hence many of them are copyrighted by respective companies. Net carries service manuals for many different products, including the HP NX6110. Device drivers Compaq Nx6110 Driver drivers for windows 7, Free driver download Compaq Nx6110 Driver drivers for windows 7. Page 50 Troubleshooting Flowchart 2. Manual for Compaq Computer. Compaq Presario CQ60 Notebook PC HP G60 Notebook PC Maintenance and Service Guide Document Part Number 488764003 August 2011 This guide is a troubleshooting reference used for maintaining and servicing the computer. After a successful purchase of an item one should find a moment and get to know with every part of an instruction. Lift the processor straight up and remove it 2. Including hp 400 ac vtm, hp 500 laptop service manual, hp 510 laptop service manual, hp 520 laptop service manual, hp 530 laptop service manual, hp 540 541 laptop service manual, hp 550 laptop service manual, hp 2500c service manual, hp 2533t mobile thin client laptop service manual, hp 4000 4050 service manual, hp 4410t mobile.

<http://eco-region31.ru/boss-bassman-pedal-manual>